

# Freshline Compact Dryer

Key's Freshline **Compact Dryer** is ideal for shredded and chopped lettuce, leafy salad mix, cabbage, cut vegetables, herbs, onions and peppers. Adjustable settings allow you to remove moisture to enhance the shelf life of your product.



*Compact dryer with lid open*

## Performance

- Maximum speed of 850 rpm can be adjusted on a variable speed drive
- Fast (under 4 seconds) and dependable electronic braking ensures quick basket changes
- Capacity of 600lbs per hour (280kg) on shredded lettuce
- Heavy duty timing belt drive system
- Full stainless construction
- Completely waterproof with wash down variable speed drive unit

## Flexibility

- Fully adjustable speed and timer settings
- Easy to relocate, no need to bolt to floor
- Suitable for a wide variety of products
- Basket liner available for very fine cut sizes

## Safety

- Low to ground means lifting baskets in and out is easy for the operator
- Safety interlock prevents lid from being opened until the drum has come to a complete stop



*Baskets being filled by Freshline Sparge Wash*



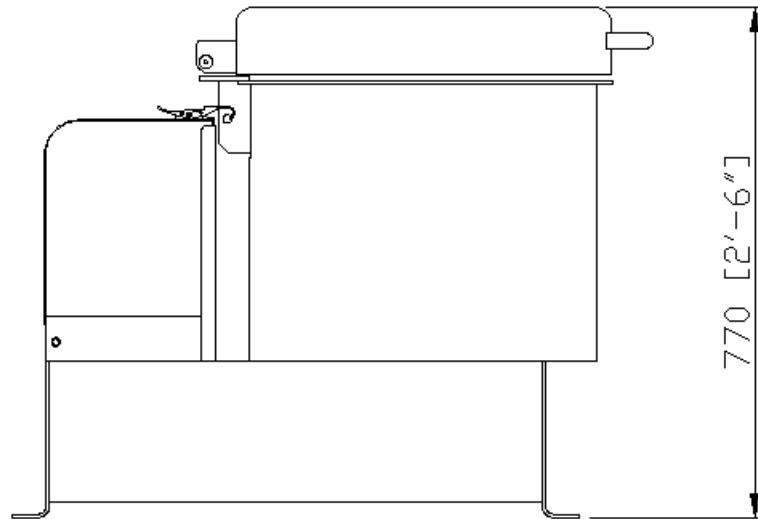
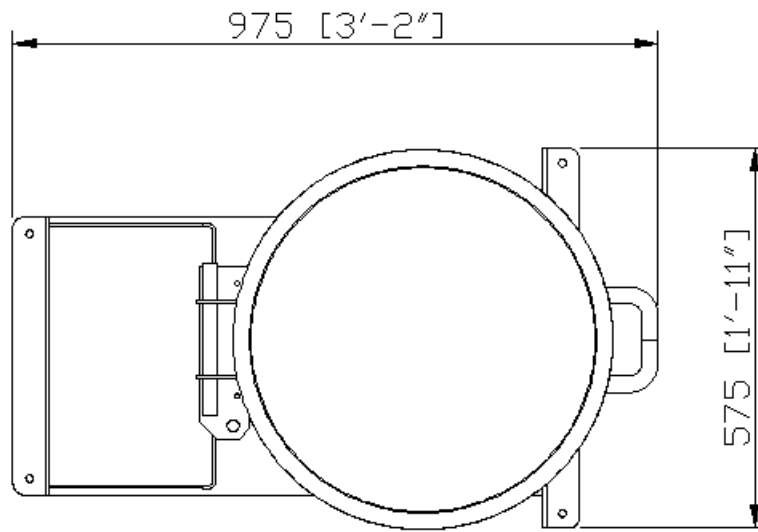
*Basket filling and Compact Dryer*

**Key Technology BV**

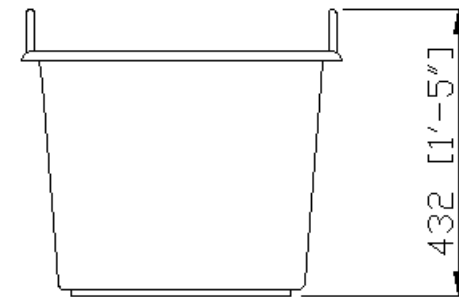
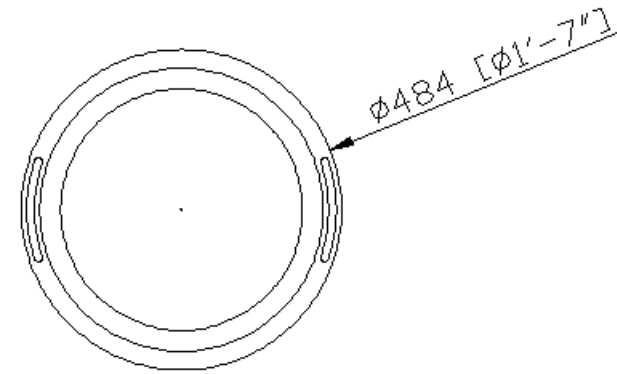
Beijerdstraat 10, 4112 NE Beusichem, The Netherlands

Phone: +31 0 345-50 9900 • Fax: +31 0 345-50 1594 • [keybv@key.net](mailto:keybv@key.net) • [www.key.net](http://www.key.net)





BASKET DRYER



BASKET

45 Litres - 11.8 Gallons