

Froth Flotation Cleaner

First developed over 50 years ago, the [Froth Flotation Cleaner](#) was the first in Key's processing equipment line. To this day, it continues to clean peas, lima beans, corn, and other products. The flotation process selectively separates waste and foreign material from the food product. Relying on "wettability" rather than density or size difference, air bubbles attach to waste material and float it away. Food products sink and are continually pumped for further processing. This method of product and waste separation lowers cleaning costs and provides the highest quality products for downline processing.

Complete System

- Features pumps, infeed shaker, and mounting framework

Efficient Cleaning

- Remove over 95% of light trash in simple, efficient operation

Labor Saving

- No manual sorting of foreign matter from product stream

Iso-Flo® Conveyors

- Added at infeed and dewatering discharge to reduce vibration to tank and support structure
- Vector-Lock™ clamps for fast and easy screen removal

Easy Installation

- Fully plumbed and ready for quick hookup

Saves Plant Floor Space

- Saves space when replacing multiple manual inspection belts. 1499 mm (59") wide overall, from 4655 mm to 6721 mm (183 1/4" to 264 5/8") long

Increased Capacity

- Up to 9,072 kg/h (20,000 lb/hr) for peas and corn

Lower Maintenance

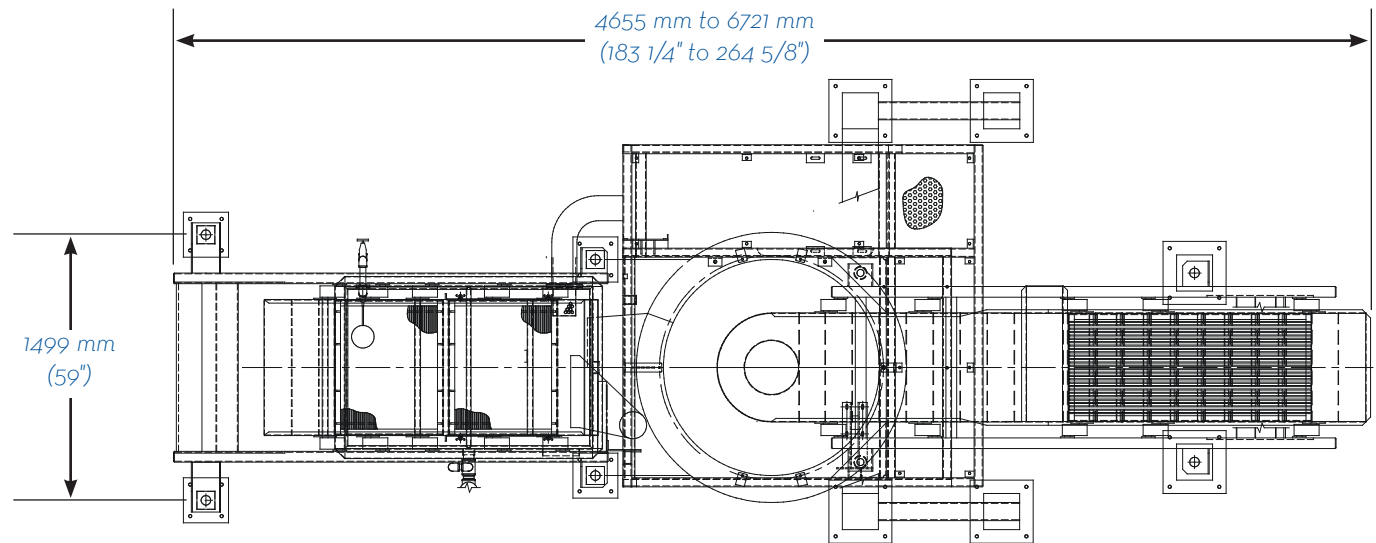
- All stainless steel (optional) reduces repair and painting costs



Common Product Applications

- Coffee beans
- Corn
- Green peas
- Lima beans
- Nuts, seeds

Other applications may be used on this equipment. Call Key to find out about how your product(s) may benefit from this technology or another system.



Utilities

Water

- Inlet: 19 mm (3/4") NPT
- Waste removal: 51 mm (2") NPT

Electrical

- Motors: 230/460 volt, 3 phase, 60 Hz for 11.2 kW (15 hp) froth-making motor; 0.74 kW (1 hp) shaker motor; 1-1/2 hp boost pump motor
- 50 Hz motor also available
- Heating lamp (50 watt): 110 volt line

